

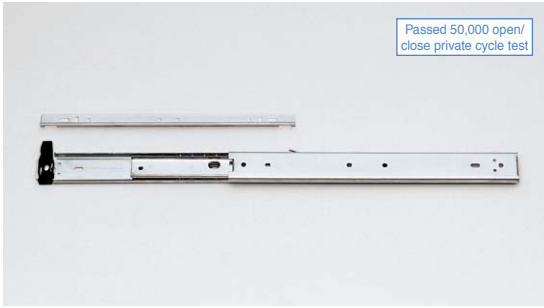
FULL EXTENSION SLIDE GS-ESR3

LOAD CAPACITY 422~637 N/pair

DETACH

BUMPER

SUS



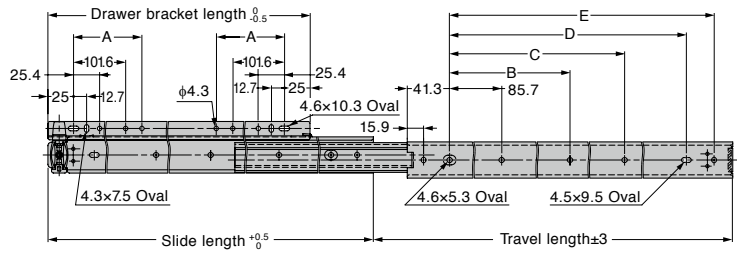
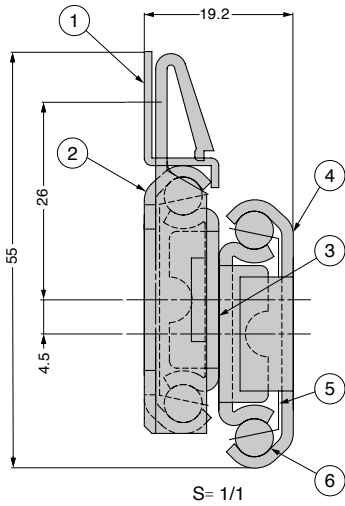
- Full extension (3 members).
- The drawer can be easily detached by using drawer bracket.

[Remarks]

- Be sure to read the "Cautions"
- Some parts of this product are made of plastic.

[Recommended Screws]

- M4 binding head screw



Right-handed shown.

No.	Part Name	Material	Finish
①	Drawer Bracket	Stainless Steel (SUS304)	Plain
②	Inner Member		
③	Intermediate Member		
④	Outer Member		
⑤	Retainer		
⑥	Balls		-

Sold in pairs (2 pcs).

Item Name	Slide Length	Travel Length	Drawer Bracket Length	A	B	C	D	E	Outer Member Holes	Load Capacity N/pair	Load Capacity kg/pair	Weight (kg/pair)
GS-ESR3-12	304.8	348.4	273	-	-	123.1	218.3	245.3	6	637	65	1.35
GS-ESR3-14	355.6	399.2				173.9	269.1	296.1		1.56		
GS-ESR3-16	406.4	450				224.7	319.9	346.9		1.83		
GS-ESR3-18	457.2	500.8	375	-	-	187.3	275.5	370.7	7	549	56	2.05
GS-ESR3-20	508	551.6				212.7	326.3	421.5		448.5	2.25	
GS-ESR3-22	558.8	602.4				238.1	377.1	472.3		499.3	2.57	
GS-ESR3-24	609.6	653.2	527	177.8	-	263.5	427.9	523.1	7	471	48	2.76
GS-ESR3-26	660.4	704				288.9	478.7	573.9		600.9	2.99	
GS-ESR3-28	711.2	754.8				314.3	529.5	624.7		651.7	3.19	