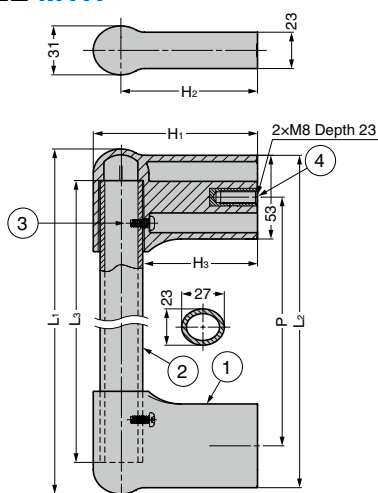


ALUMINIUM PIPE HANDLE MTH

LOAD CAPACITY 500 N

TEST METHOD 1



- Position of bracket (MTH-T) is higher than common handles, suitable for inset sliding door of machine tool.
- MTH-L with the same height as common handles for total coordination with handle of machine tool.
- Pipe and bracket are connected with screws, preventing pipe loosening and idling.
- Elliptical pipe shape allows for easy gripping and sliding.

[Applications]

- Machine tools and large doors, etc.

[Remarks]

- For single-sided mount. Cannot be used for double-sided mount.

[Recommended Screws]

- M8 screw

| No. | Part Name | Material | Finish / Colour |
|-----|-------------------------------------|------------------------|------------------------------------|
| ① | Bracket | Glass Filled Polyamide | Black |
| ② | Pipe | Aluminium Alloy | Anodised Silver |
| ③ | Countersunk head tapping screw 5×12 | Steel | Coloured Zinc Chromate (Trivalent) |
| ④ | Nut | Brass | Plain |

| RohS | CAD | Item Code | Item Name | L ₁ | L ₂ | L ₃ | P | H ₁ | H ₂ | H ₃ | Load Capacity N | Load Capacity kgf | Weight (g) | Box (pcs) | Carton (pcs) |
|------|-----|-------------|-----------|----------------|----------------|----------------|-----|----------------|----------------|----------------|-----------------|-------------------|------------|-----------|--------------|
| - | 3D | 100-032-610 | MTH-L300 | 360 | 352 | 320 | 300 | 74 | 56.5 | 43 | 500 | 51 | 360 | 1 | 15 |
| - | 3D | 100-032-611 | MTH-L450 | 510 | 502 | 470 | 450 | | | | | | 445 | 1 | 15 |
| - | 3D | 100-032-612 | MTH-L600 | 660 | 652 | 620 | 600 | | | | | | 530 | 1 | 15 |
| - | 3D | 100-032-613 | MTH-T300 | 360 | 352 | 320 | 300 | 430 | 1 | 15 | | | | | |
| - | 3D | 100-032-614 | MTH-T450 | 510 | 502 | 470 | 450 | 515 | 1 | 15 | | | | | |
| - | 3D | 100-032-615 | MTH-T600 | 660 | 652 | 620 | 600 | 600 | 1 | 15 | | | | | |

ALUMINIUM PIPE HANDLE APH



- Possible to fix with screws from the front.
- 4 lengths of pipes are available. By cutting the pipe, the handle length can be changed freely.
- Other handle sizes are possible at surcharge. For lot quantity and available lengths, please contact local representatives.
- High precision assembly of pipe and bracket.

[Applications]

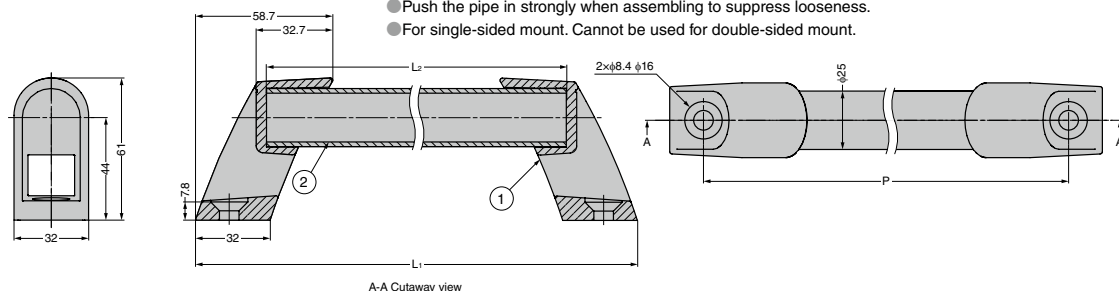
- Machine tools and large doors, etc.

[Recommended Screws]

- Countersunk head screw M8

[Remarks]

- Push the pipe in strongly when assembling to suppress looseness.
- For single-sided mount. Cannot be used for double-sided mount.



[Bracket]

| RohS | CAD | Item Code | Item Name | Weight (g) | Box (pcs) | Carton (pcs) |
|------|-----|-------------|-----------|------------|-----------|--------------|
| - | 3D | 100-029-942 | APH-B | 34 | 150 | 600 |

| No. | Part Name | Material | Finish / Colour |
|-----|-----------|-----------------|-----------------|
| ① | Bracket | PA | Black |
| ② | Pipe | Aluminium Alloy | Anodised Silver |

[Pipe]

| RohS | CAD | Item Code | Item Name | L ₁ | L ₂ | P | Weight (g) | Box (pcs) | Carton (pcs) |
|------|-----|-------------|-----------|----------------|----------------|-----|------------|-----------|--------------|
| - | 3D | 100-035-462 | APH-P300 | 328.9 | 268 | 300 | 104.8 | - | 130 |
| - | 3D | 100-035-463 | APH-P400 | 428.9 | 368 | 400 | 119.3 | - | 100 |
| - | 3D | 100-035-464 | APH-P500 | 528.9 | 468 | 500 | 133.7 | - | 70 |
| - | 3D | 100-035-465 | APH-P600 | 628.9 | 568 | 600 | 287.9 | - | 70 |