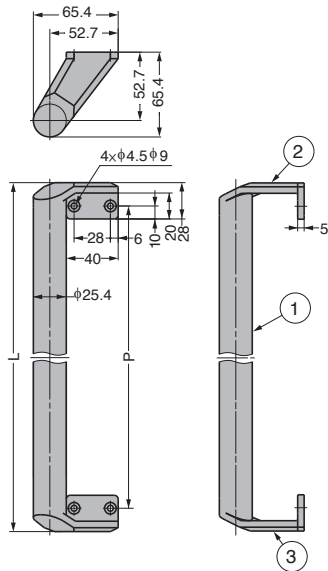


# STAINLESS STEEL DOOR HANDLE GS-MP

SUS316



No.	Part Name	Material
①	Pipe	Stainless Steel (SUS316)
②	Strike Plate (L)	Stainless Steel (SCS14)
③	Strike Plate (R)	Stainless Steel (SCS14)

- Simple design and front screw mount.
- Other handle sizes are possible at surcharge. For lot quantity and available lengths, please contact local representatives.

### [Applications]

- Railway vehicles, specially-equipped vehicles, ships, large doors, and auxiliary handrails, etc.

### [Recommended Screws]

- Countersunk head screw M4
- Countersunk head tapping screw 4
- Countersunk head wood screw 4.1

### [Application Example]



Item Name	Material	Finish	L	P	Weight (g)
GS-MP-500	Stainless Steel (SUS316)	Polished	500	464	1000
GS-MP-750			750	714	1300
GS-MP-1000			1000	964	1600