

# STAINLESS STEEL HANDLE GS-FT-T

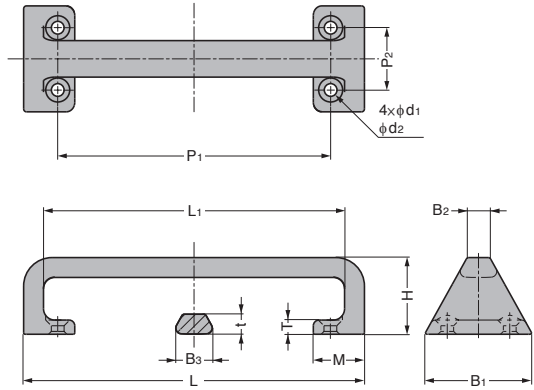
SUS316



- A shape with heavy feeling and rounded inside allows for easy gripping.
- Wide grip.

**[Parts Included]**

- GS-FT-T-120: Raised countersunk head tapping screw 4 × 20 (SUS)
- GS-FT-T-170: Raised countersunk head tapping screw 5 × 25 (SUS)
- GS-FT-T-220: Raised countersunk head tapping screw 6 × 35 (SUS)



Item Name	Material	Finish	L	L <sub>1</sub>	B <sub>1</sub>	B <sub>2</sub>	B <sub>3</sub>	H	T	t	M	P <sub>1</sub>	P <sub>2</sub>	d <sub>1</sub>	d <sub>2</sub>	Weight (g)
GS-FT-T-120	Stainless	Polished	120	105	39.3	10	15.1	28.5	6	7	19	96	24	4.5	8.5	225
GS-FT-T-170	Steel		170	150	53.3	12	18.7	38	7.5	10	25.5	135	32	5.5	10.5	500
GS-FT-T-220	(SCS14)		220	200	69.3	15	24.3	49.5	9.3	13	32.5	176	41	6.5	12.5	1000

※SCS14 is equivalent of SUS316.