

STAINLESS STEEL HANDLE GS-FT-R

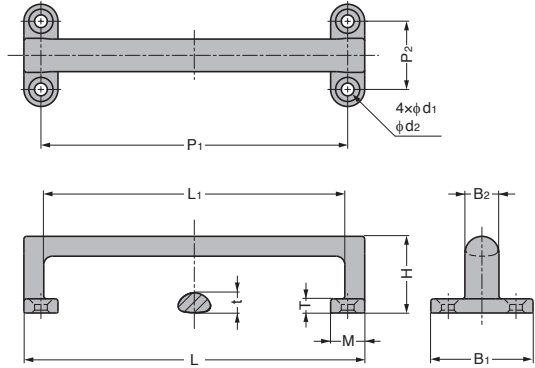
SUS



- A rounded handle for a comfortable grip.
- Wide grip.

[Parts Included]

- GS-FT-R-120: Raised countersunk head tapping screw 4 × 20 (SUS)
- GS-FT-R-160: Raised countersunk head tapping screw 5 × 25 (SUS)



Item Name	Material	Finish	L	L ₁	B ₁	B ₂	H	T	t	M	P ₁	P ₂	d ₁	d ₂	Weight (g)
GS-FT-R-120	Stainless Steel (SCS13)	Polished	120	106	36	12	27	5.5	7	12	108	24	4.5	8.5	140
GS-FT-R-160			160	142	48	16.3	36	7	9	16	144	32	5.5	10.5	285

※SCS13 is equivalent of SUS304.