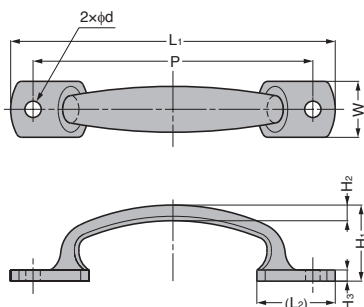


STAINLESS STEEL HANDLE GS-3LC

SUS316



[Applications]

- Indoor and outdoor medium sized doors.

| Item Name | Material | Finish | L ₁ | L ₂ | W | H ₁ | H ₂ | H ₃ | P | d | Weight (g) |
|------------|-------------------------|----------|----------------|----------------|----|----------------|----------------|----------------|-----|-----|------------|
| GS-3LC-120 | Stainless Steel (SCS14) | Polished | 120 | 29 | 20 | 30 | 6 | 5 | 105 | 5.5 | 90 |
| GS-3LC-130 | Stainless Steel (SCS13) | | 130 | 30 | 22 | 33 | 7 | 6 | 115 | | 120 |
| GS-3LC-145 | Stainless Steel (SCS14) | | 145 | 35 | 25 | 34 | | | 125 | 6.5 | 155 |

※SCS14 is equivalent of SUS316.

※SCS13 is equivalent of SUS304.