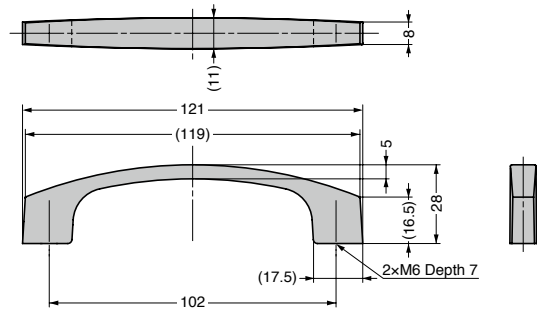


HANDLE GS-SAZ-121CR



Item Name	Material	Finish	Weight (g)
GS-SAZ-121CR	Zinc Alloy (ZDC)	Chrome	63