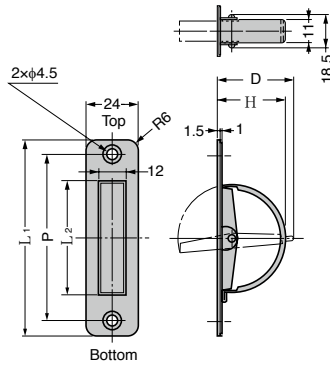


# STAINLESS STEEL HATCH PULL GS-HR-RS

TEST METHOD 2 SUS



- Ideal for use in places where projection from surface is not permitted, such as switch boards and inspection ports.

**[Applications]**

- Control panels, switch boards, and inspection ports, etc.

**[Remarks]**

- For vertical use, please install the top and bottom correctly.

**[Parts Included]**

- Countersunk head wood screw 3.5 x 22 (SUS)

| Item Name   | Material        | Finish | L <sub>1</sub> | L <sub>2</sub> | P  | H  | D  | Load Capacity N | Load Capacity kgf | Weight (g) |
|-------------|-----------------|--------|----------------|----------------|----|----|----|-----------------|-------------------|------------|
| GS-HR-90RS  | Stainless Steel | Satin  | 90             | 52             | 76 | 32 | 36 | 127             | 13                | 46         |
| GS-HR-110RS | (SUS304)        |        | 110            | 64             | 94 | 38 | 42 | 98              | 10                | 55         |