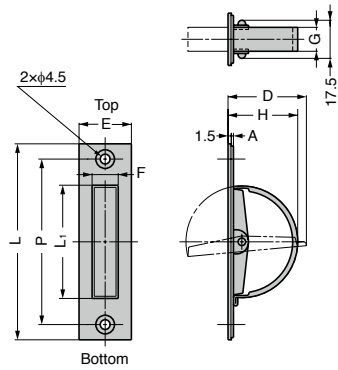


# STAINLESS STEEL HATCH PULL GS-HR

TEST METHOD 2 SUS



- Ideal for use in places where projection from surface is not permitted, such as switch boards and inspection ports.

**[Applications]**

- Control panels, switch boards, and inspection ports, etc.

**[Remarks]**

- For vertical use, please install the top and bottom correctly.

**[Parts Included]**

- GS-HR-90S: Countersunk head wood screw 3.5 x 22 (SUS)
- GS-HR-110S & GS-HR-135S: Countersunk head wood screw 3.5 x 25 (SUS)

Item Name	Material	Finish	L	L <sub>1</sub>	P	H	D	A	E	F	G	Load Capacity N	Load Capacity kgf	Weight (g)			
GS-HR-90S	Stainless	Satin	90	52	76	32	36	1	24	12	11	127	13	49			
GS-HR-110S	Steel		110	64	94	38	42								98	10	59
GS-HR-135S	(SUS304)		135	90	115	50	55										