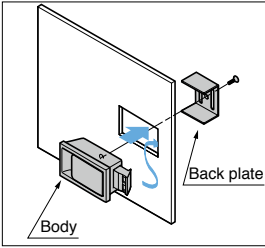


FLUSH SLAM LATCH GS-LC-48

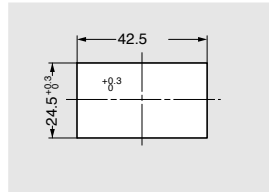


- Door will be latched when closed.
- Low profile eliminates worries about protruding to the inside of equipment.
- Mounting screws are invisible from door surface.
- UL94V-0 rated flame retardant material.
- Non-Handed. Can be installed on left or right side.
- Easy installation. Insert the latch body through cut out section and simply screw-on the back plate.

[Installation]



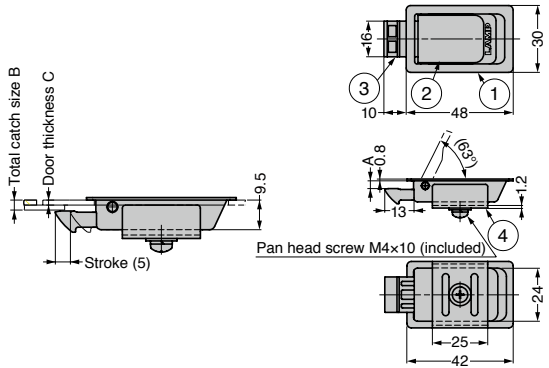
[Cut Out Dimensions]



[Parts Included]

- Pan head screw M4 x 10 (SUS)

No.	Part Name	Material	Finish / Colour
①	Body	Stainless Steel (SUS304)	Barrel Polished
②	Handle		
③	Latch	PBT (Glass Reinforced)	White
④	Back Plate	Stainless Steel (SUS304)	Barrel Polished



Item Name	A	Total Catch Size B	Door Thickness C	Weight (g)
GS-LC-48-3	3.5	3.2	1~1.6	35
GS-LC-48-5	5.1	4.6	1~2.3	