

CABINET LOCK 5830



- Interchangeable cylinder lock with Master Key system.
- Easy to replace cylinder by using Change Key 5830-K1.
- Reversible key can be removed when locked and unlocked (180° rotation).
- Max. 3,120 key changes available. (Max. 780 key changes/Master Key)
- Longer dead bolt stroke.

[Remarks]

- Be sure to read the "Cautions" .
- To remove the cylinder, Change Key 5830-K1 (sold separately) is required.
- Replaceable cylinder is made to order.

[Parts Included]

- Countersunk head wood screw 3.1×13, 3.1×22 (SUS)

[Sold Separately]

- Master Key 5830-MK1
- Change Key 5830-K1
- Spacer 5830-SP

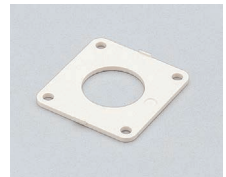
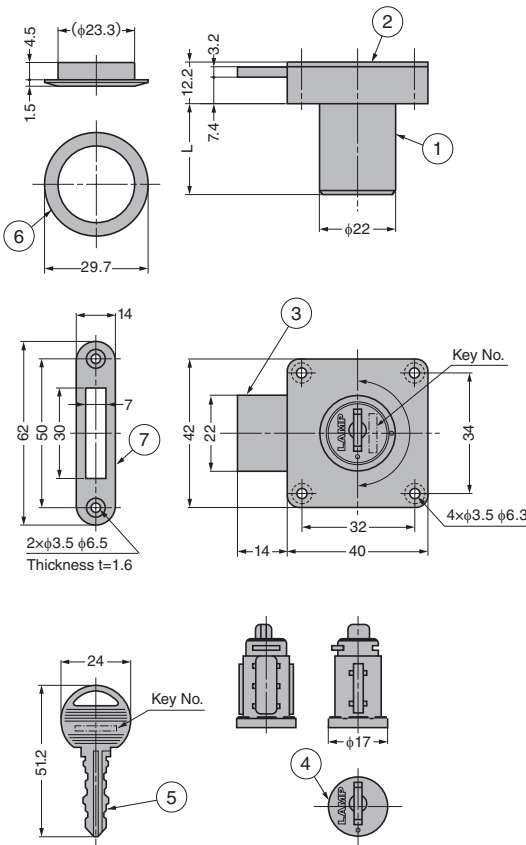
CAM LOCKS

DIAL LOCKS

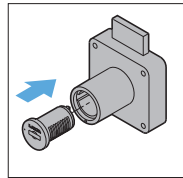
GLASS DOOR LOCKS

CABINET DOOR LOCKS

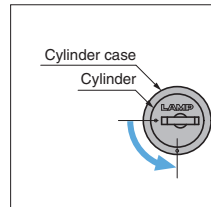
OTHER LOCKS



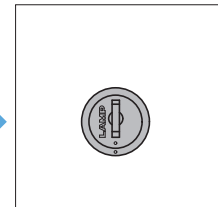
[Installation]



[How to Remove]



Insert the Change Key and turn the cylinder 90° counter clockwise.



Place two dots in the same position and remove the cylinder.

[Master Key] Sold Separately

RoHS	CAD	Item Code	Item Name	Weight (g)	Box (pcs)	Carton (pcs)
		150-001-009	5830-MK1	9	-	1

[Change Key] Sold Separately

RoHS	CAD	Item Code	Item Name	Weight (g)	Box (pcs)	Carton (pcs)
	-	150-001-008	5830-K1	13	-	1

[Spacer] Sold Separately

RoHS	CAD	Item Code	Item Name	Weight (g)	Box (pcs)	Carton (pcs)
		150-060-569	5830-SP	3	200	2000

No.	Part Name	Material	Finish
①	Body	Zinc Alloy (ZDC)	Satin Nickel
②	Case Cover	Steel (SPCC)	Nickel
③	Dead Bolt		
④	Cylinder (Inner)	Zinc Alloy (ZDC)	Satin Nickel
⑤	Key	Brass	Nickel
⑥	Ring		Satin Nickel
⑦	Strike	Steel (SPCC)	Nickel

[Body]

RoHS	CAD	Item Code	Item Name	Key Type	Cylinder Diameter	Door Thickness L	Weight (g)	Box (pcs)	Carton (pcs)
		150-001-006	5830-24MK-B	Key Different	22	24	155	12	60
-		150-001-382	5830-24MK-D	Key Alike				12	60
-		150-001-007	5830-30MK-B	Key Different		30	202	12	60
-		150-001-381	5830-30MK-D	Key Alike				12	60

Refer to : P.848