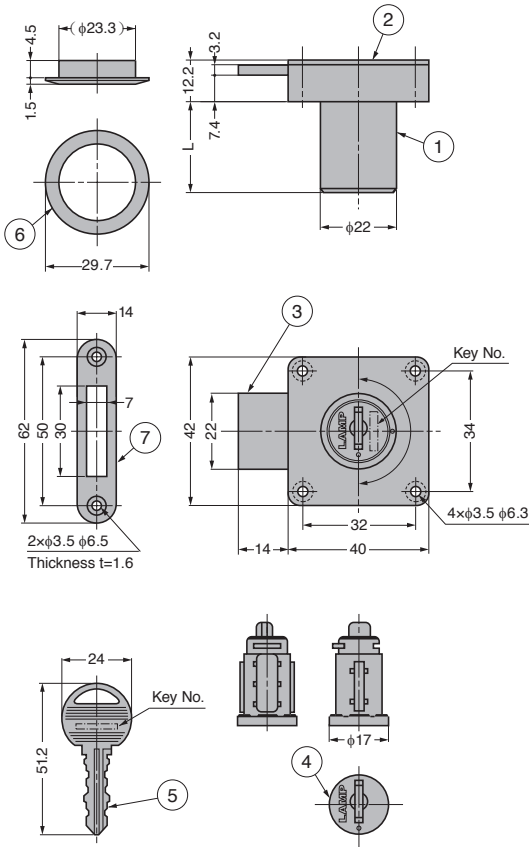
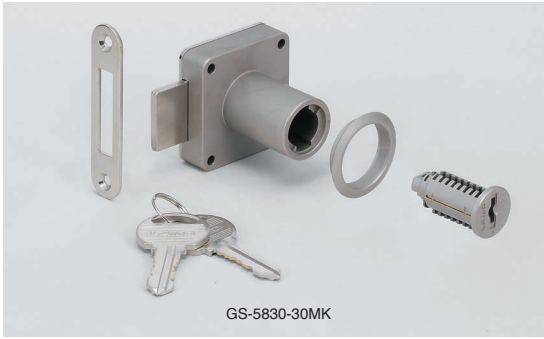


CABINET LOCK GS-5830



No.	Part Name	Material	Finish
①	Body	Zinc Alloy (ZDC)	Satin Nickel
②	Case Cover	Steel (SPCC)	Nickel
③	Dead Bolt		
④	Cylinder (Inner)	Zinc Alloy (ZDC)	Satin Nickel
⑤	Key	Brass	Nickel
⑥	Ring		Satin Nickel
⑦	Strike	Steel (SPCC)	Nickel

[Body]

Item Name	Key Type	Cylinder Diameter	Door Thickness L	Weight (g)
GS-5830-24MK-B	Key Different	22	24	155
GS-5830-24MK-D	Key Alike			
GS-5830-30MK-B	Key Different			
GS-5830-30MK-D	Key Alike		30	202

- Interchangeable cylinder lock with Master Key system.
- Easy to replace cylinder by using Change Key GS-5830-K1.
- Reversible key can be removed when locked and unlocked (180° rotation).
- Max. 3,120 key changes available. (Max. 780 key changes/Master Key)
- Longer dead bolt stroke.
- Gold finish for cylinder ring and cylinder case can be made to order.

[Remarks]

- Be sure to read the "Cautions"
- To remove the cylinder, Change Key GS-5830-K1 (sold separately) is required.
- Replaceable cylinder is made to order.

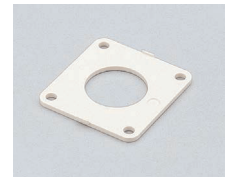
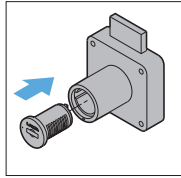
[Parts Included]

- Countersunk head wood screw 3.1x 13, 3.1x 22 (SUS)

[Sold Separately]

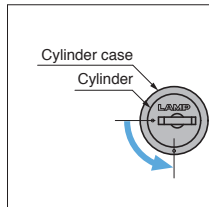
- Master Key GS-5830-MK1
- Change Key GS-5830-K1
- Spacer GS-5830-SP

[Installation]

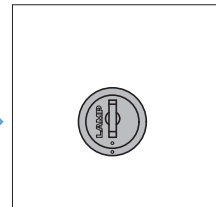


Spacer GS-5830-SP (sold separately)

[How to Remove]



Insert the Change Key and turn the cylinder 90° counter clockwise.



Place two dots in the same position and remove the cylinder.

[Master Key] Sold Separately

Item Name	Weight (g)
GS-5830-MK1	9

[Change Key] Sold Separately

Item Name	Weight (g)
GS-5830-K1	13

[Spacer] Sold Separately

Item Name	Weight (g)
GS-5830-SP	3