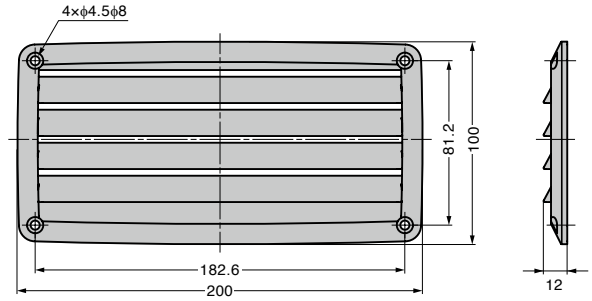


# VENTILATOR GS-48080



- Surface mount type.
- Suitable for various applications such as marine, etc.



| Item Name | Material | Colour | ≡ Max. Exhaust Area mm <sup>2</sup> | Weight (g) |
|-----------|----------|--------|-------------------------------------|------------|
| GS-480804 | PA       | White  | 3700                                | 86         |
| GS-480802 |          | Black  |                                     |            |