

VENTILATOR GS-4872 With Rainproof Function



When ventilating



Push the knob (※4 in the figure below).

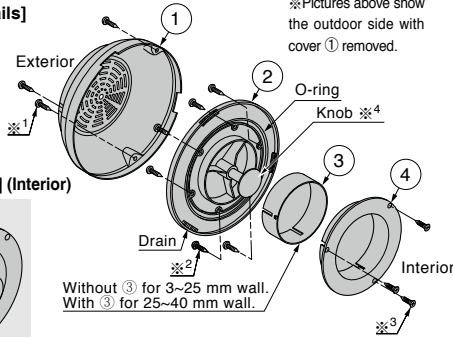


When un-ventilating

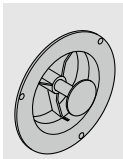
Pull the knob (※4 in the figure below).

※ Pictures above show the outdoor side with cover ① removed.

[Parts Details]



[Installation] (Interior)

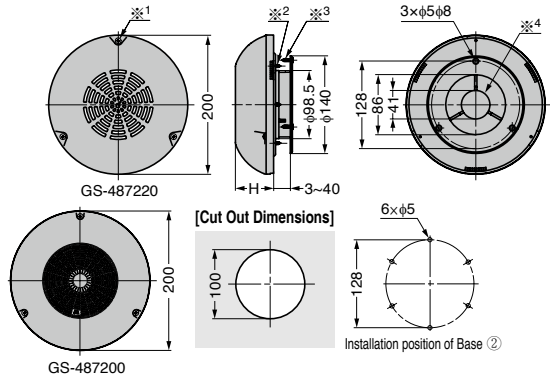


Without ③ for 3~25 mm wall.
With ③ for 25~40 mm wall.

- Can be used for the exterior due to the rainproof function.
- Can be used both for wooden wall and sheet metal wall. Please arrange the bolts and nuts when using with sheet metal.
- Suitable for specially-equipped vehicles like campers, etc.

[Parts Included]

- Pan head tapping screw 4x 12 (3 pcs) / for Cover ① on Base ② (※1 in the figure)
- Pan head tapping screw 4x 18 (6 pcs) / for Base ② on the wall (※2 in the figure)
- Countersunk head tapping screw 4x 16 (3 pcs) / for Flange ④ on the wall (※3 in the figure)



Item Name	Cover Material	Cover Finish/ Colour	H	Wall Thickness	≒Max. Exhaust Area mm ²	Weight (g)
GS-487220	Stainless Steel (SUS304)	Polished	55	3~40	3055	394
GS-487200	PP	Off-white	62		5032	328

No.	Part Name	Material	Colour
①	Cover	See the left table	See the left table
②	Base	PP	Off-white
③	Adaptor		
④	Flange		